



**HEATMASTER**

atmosphere

warmth

style

# open wood fires

Enjoy the warmth and ambience that only comes with a Heatmaster open wood fire



**Transform  
your home**

## The exciting benefits of Heatmaster Wood Fires:

Unique 5 sided heat exchange which uses 5 surfaces of the firebox to produce more convective heat into your home.

No gather required which significantly saves space to simplify installation.

Fully insulated firebox means no further insulation required, saving time and money.

Easy clean ashtray which you can slide out of the fireplace to remove ash, then just slide back in.

Australian owned company providing quality products, service and advice for over 25 years.



[www.heatmaster.com.au](http://www.heatmaster.com.au)



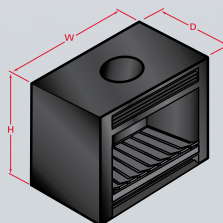
## Heatmaster open wood fires are available for brick and timber installations

### A Series fully insulated firebox dimensions

Overall sizes for insulated units

Model	Height	Width	Depth
A450	670mm	595mm	395mm
A650	680mm	838mm	470mm
A750	680mm	910mm	495mm
A900	740mm	1060mm	565mm

For full A Series installation instructions, please contact your Heatmaster dealer.



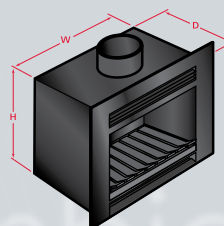
### B Series uninsulated firebox dimensions

Overall sizes for uninsulated units

Model	Height	Width	Depth	Height with flange	Width with flange
B450	575mm	485mm	340mm	670mm	590mm
B650	595mm	680mm	380mm	647mm	806mm
B750	635mm	785mm	435mm	685mm	905mm
B900	695mm	935mm	480mm	730mm	1055mm

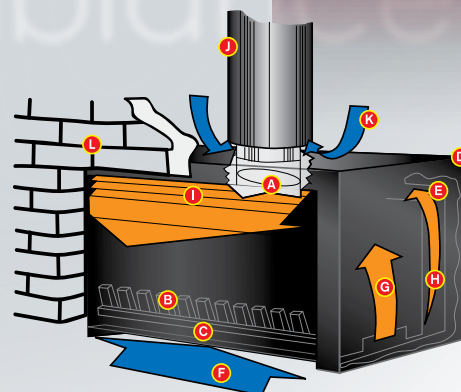
Allow up to 50mm for flue spigot height in addition to firebox height.

For full B Series installation instructions, please contact your Heatmaster dealer.



### Components Diagram

<b>A</b> Damper with detachable handle	<b>H</b> Air circulation paths via the back chamber
<b>B</b> Unique suspended firegrate	<b>I</b> Heated air comes into room via outlet louvers
<b>C</b> Easy clean slide-in/slide-out ashtray	<b>J</b> Stainless Steel inner, PGI outer, flue is in easy to assemble sections
<b>D</b> Steel outer Body	<b>K</b> Air Flow between inner & outer skins of flue
<b>E</b> Insulation	<b>L</b> Fireplace surround (enclosure) is built in your chosen material, hides all of Heatmaster unit, so all you see is the fire and the outlet louvers
<b>F</b> Cool air into heat exchanger	
<b>G</b> Air circulation paths via the side chamber	



**HEATMASTER**

## Heatmaster, for the best heating solutions

### Visit our showroom/head office

2/9 Nicole Close Bayswater Victoria 3153

### Or contact Heatmaster

Ph 03 9761 7130 | Fax 03 9761 7134

### Heatmaster in NSW, QLD & ACT

Unit 2 16 Lexington Drive  
Northwest Business Park Bella Vista NSW 2153

Ph 02 8824 9122 | Fax 02 8824 6487



For every Heatmaster wood fire sold we contribute (through the AHHA) to Landcare Australia for the betterment of the environment and the ongoing development of environmentally sustainable forest timber.

Find us on the web at: [www.heatmaster.com.au](http://www.heatmaster.com.au)