



direct vent
gas fireplaces

why choose Regency?

An exceptional fire, custom elegance and controllable heat are just a few reasons to make a Regency fire part of your family.


In 1979, I founded Regency Fireplace Products with a mission to produce the finest fireplace products available anywhere. As a result, Regency has been honoured with awards for exceptional aesthetics and performance and is known as the premium brand around the world. We have been dedicated to providing Australia & New Zealand with Regency fires for over 20 years: committed to creating products that promote comfort and peace of mind.

I am so confident in the quality workmanship, the finest materials and durable heavy-duty construction invested in each and every product, that I offer a Limited Lifetime Warranty. Invite the comfort, efficiency and style of a Regency gas or wood fire into your home and enjoy quality time for a lifetime - I guarantee it.



Robert Little

Robert Little
Founder & CEO



why choose a direct vent fireplace?

A Regency direct vent gas fireplace is the perfect heating solution for your renovation or new construction project. In just three easy steps (see back cover), you can have a Regency Gas Fire almost anywhere in your home - no chimney needed! Select a fireplace, choose a fascia, and have it vented through an outside wall. Enjoy watching the lively, realistic fire of your new Regency while it warms your home and your soul.



Sunrise P33S gas fire

Compact Space and Style

This clean faced fireplace doesn't need a large space to create a distinct feature in your home. The shallow (32cm deep) direct vent, room sealed firebox allows you to install a contemporary fireplace almost anywhere! The elegant, slim line fascia is available in black, stainless steel or vibrant colors guaranteed to demand attention.

Standard Features

- Decorative Sunrise fire with cobalt blue crystals
- Wall mounted On/Off Switch
- Standing pilot with direct spark ignition
- Nominal maximum gas consumption: 18 MJ NG/ 16.4 MJ LPG/ 14.8 MJ ULPG

Optional Features

- Stainless steel inner reflective panels
- Fascia in black, sunset bronze, blue and stainless steel
- Ceramic spa stones
- Natural River Pebbles
- Black or copper crystals
- Remote control
- LPG conversion kit
- Horizontal or vertical flue options
- AstroCap™ venting system

Above: P33S shown with optional stainless steel fascia and reflective inner panels (shown without mandatory dress guard).



Blue fascia



Sunset bronze fascia



Gemfire 54 gas fire

Above: Gem54 shown with black fascia, reflective inner panels, ceramic spa stones and natural river pebbles (shown without mandatory dress guard).



Stainless steel fascia

Dramatic firescape

The Regency landscape Gemfire offers a wide angle view of a unique and dramatic flame; perfect for contemporary homes and open concept living spaces. Inset reflective panels amplify the appearance of the stunning fire. The incredible styling is backed up by practical function; the room sealed direct vent fire delivers consistent, controllable heat - even during power outages.

Standard Features

- Wide decorative landscape fire with cobalt blue crystals
- Wall mounted On/Off switch
- Standing pilot with direct spark ignition
- Nominal maximum gas consumption: 35.9 MJ NG / 32.2 MJ LPG / 28.7 MJ ULPG

Optional Features

- Contemporary door frame & fascia in black and brushed stainless steel
- Stainless steel inner reflective panels
- Natural River Pebbles
- Ceramic Spa Stones
- Black or copper crystals
- Remote control
- LPG conversion kit
- Horizontal or vertical flue options
- AstroCap™ Venting System



Panorama P33 gas log fire

Compact Style!

The P33 is a compact gas log fire with all the benefits of a Panorama. Perfect for cosy living areas, the P33 offers a beautiful flame and controllable heat. Design your own P33 with stylish Regency Panorama accessories.

Standard Features

- Black louvres
- Standing pilot with direct spark ignition
- 45° flue takeoff – vertical or horizontal
- 2 speed fan
- 5.0kW - 24 MJ NG/LPG

Optional Features

- Brushed steel louvres
- Brushed steel front trim
- 3 or 4 sided finishing trim in black or brushed steel
- Reflective stainless steel side inserts
- Ember upgrade kit
- Basic remote control
- Advanced RF remote control
- AstroCap™ venting system
- LPG conversion kit

Above: P33 shown with black louvres (shown without mandatory dress guard).



Steel louvres



Panorama P36 gas log fire

Above: P36 shown with optional premium flush front, slim fascia and reflective panels (shown without mandatory dress guard).

Design to suit your décor

There are over 25 ways to customise the look and feel of your P36 fire. Design your fire to suit your décor with a selection of surrounds and finishing touches.

Standard Features

- Manual (P36) or electronic ignition (PG36)
- Powerful 2-speed fan (P36) or 3-speed fan (PG36)
- 6.8kW - 33 MJ NG / 31MJ LPG

Optional Features

- Premium black flush front
- Hampton cast iron fascia and grills
- One piece cast iron fascia
- Black or brushed steel louvres
- Brushed steel front trim
- 3 or 4 sided finishing trim in black or brushed steel
- 3 or 4 sided slim line fascia in black or stainless steel
- Reflective stainless steel side inserts
- Ember upgrade kit
- Basic or Advanced remote control (P36)
- FireGenie® remote control (PG36)
- AstroCap™ venting system
- LPG conversion kit



Hampton cast iron fascia



Panorama PG121 gas log fire

Two Rooms... One Fire

This see through two sided PG121 is sure to impress. Share the heat and view of this Regency fire in two rooms at once. Customise both sides with stylish Regency accessories.

Standard Features

- Black louvres
- Old town red bricks
- Electronic Ignition
- 2 Speed Fan
- 45° flue takeoff – vertical or horizontal
- 7.7kW-41 MJ NG/38MJ LPG

Optional Features

- Brushed steel louvres
- Brushed steel front trim
- 3 sided black finishing trim
- Ember upgrade kit
- FireGenie® Remote Control
- AstroCap™ venting system
- LPG conversion kit

Above: PG121 shown with optional steel louvres, steel front trim and old town red bricks (shown without mandatory dress guard)



Black louvres



Above: IG34 shown with black fascia and dress guard.

IG34 gas inbuilt

Design to suit your décor

The IG34 gas log insert offers the features of room sealed direct vent technology combined with the unique FireGenie electronic control system.

This modern and contemporary styled heater will fit into most existing fireplaces creating the ambience of a wood fire along with the efficiency and convenience of a realistic gas log fire.

Standard Features

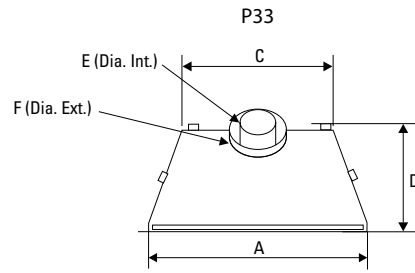
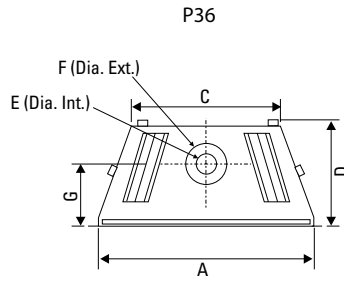
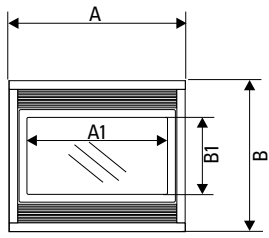
- Black Fascia
- 2 Speed Fan
- Electronic ignition
- 6.19kW* - 32MJ NG/31MJ LPG

Optional Features

- Stainless steel inner reflective panels
- FireGenie® remote control
- Ember upgrade kit
- LPG conversion kit

* kW rating varies according to flue configuration

specifications (mm)



Dimensions	A	B	A1	B1	C	D	E	F	G
P33	838	737	660	406	584	324	102	175	-
P36	914	775	741	394	838	324	102	175	184

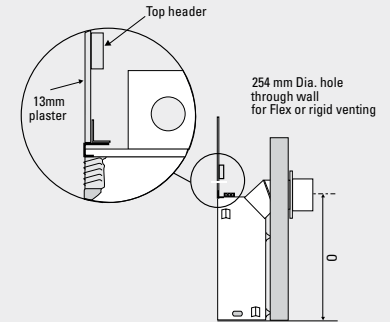
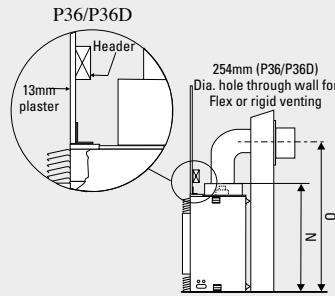
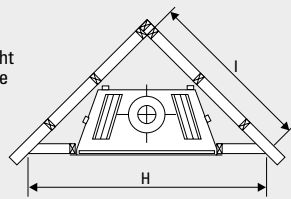
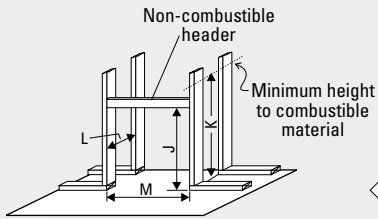
framing

FRAMING - FRONT VIEW

FRAMING - TOP VIEW

MINIMUM TERMINATION CENTRE LINE P36

MINIMUM TERMINATION CENTRE LINE P33



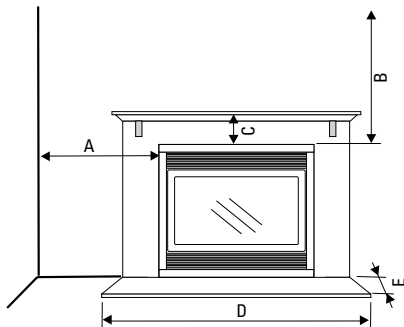
Framing (horizontal termination)

	H	I	J	K*	L	M	N	O
P33 (Flex flue)	1353	953	806	813	324	845	0	660
P33 (Rigid flue)	1353	953	806	914	419	845	0	762
P36/PG36	1524	1078	921	1126	324	921	914	1029
P36/PG36 (premium flush front)	1524	1078	946	1182	432	944	914	1029
PG121	please refer to installation manual							

* When using rigid pipe.

For vertical termination or vertical rise with horizontal termination please refer to manual.

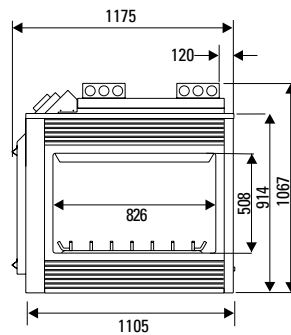
Note: Framing dimensions are a guide only. Always check the current installation manual before commencing construction.



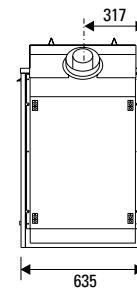
Mantel clearances	A	B	C	D	E
P33	191	762	178	0	0
P36/PG36	152	1016	178	0	0
PG121	914	914	*	0	0

* Please refer to the installation manual.

PG121 Front

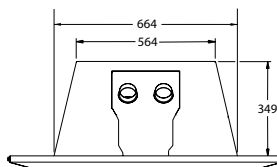
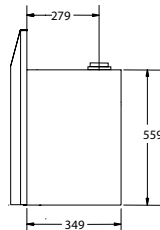
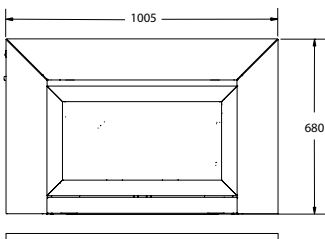


PG121 Side

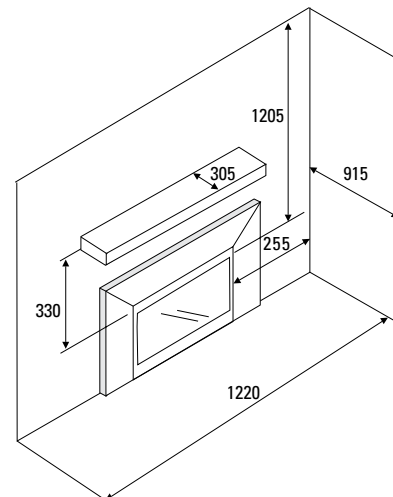


Note: For PG121 there is a 699mm vent heat shield on the vent end of the fire-place. Please allow appropriate space for centre positioning

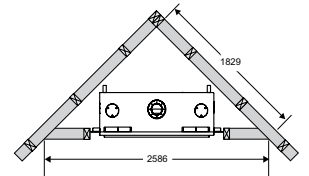
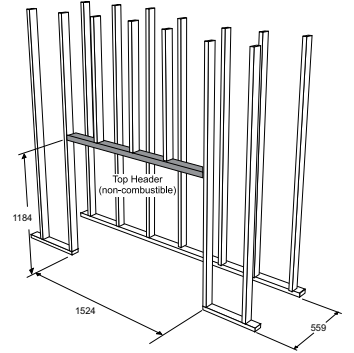
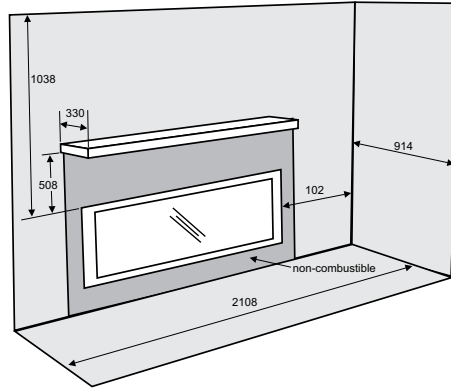
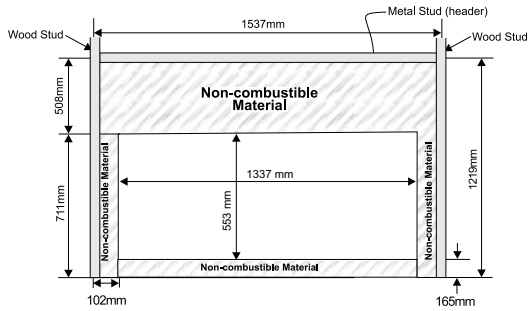
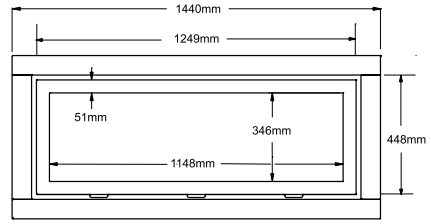
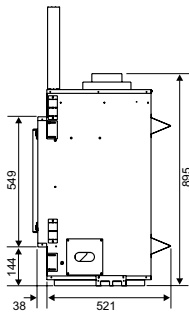
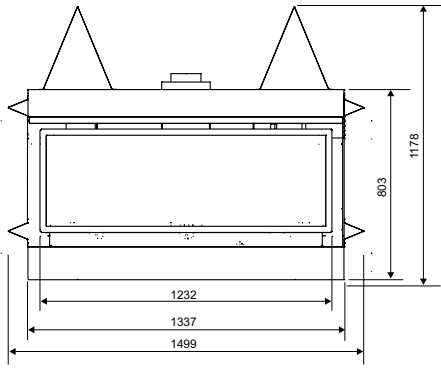
IG34 inbuilt



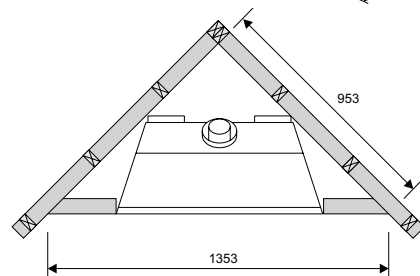
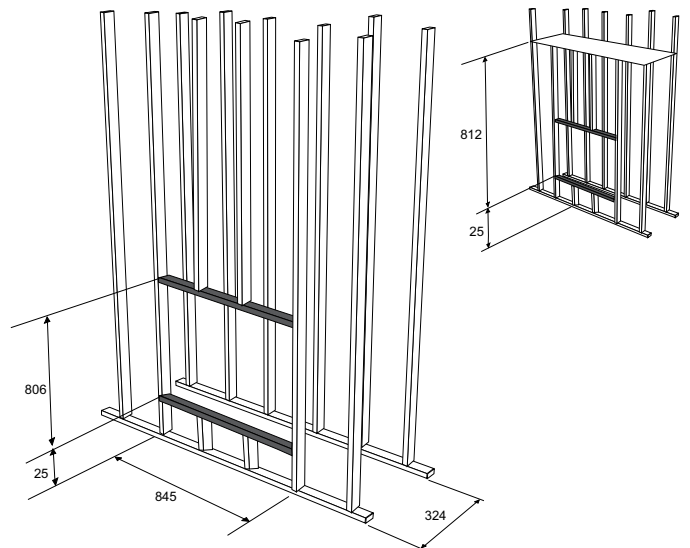
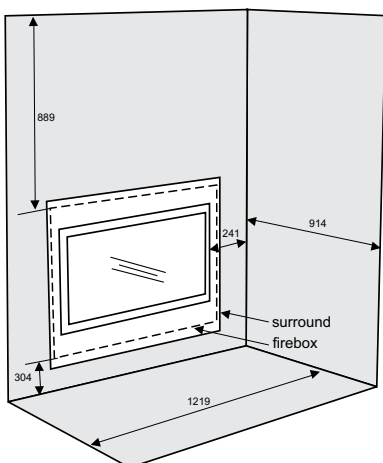
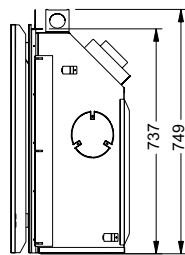
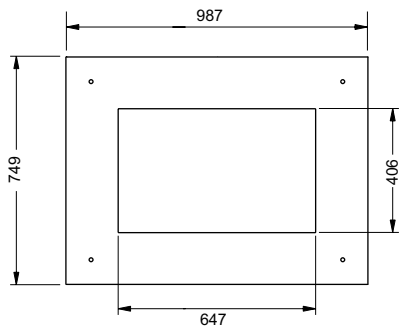
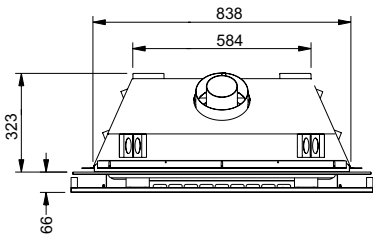
Min. fireplace opening	IG34
Width (front)	680
Width (rear)	600
Height	586
Depth	353



Gemfire 54



Sunrise P33S



1-2-3 Instant fireplace

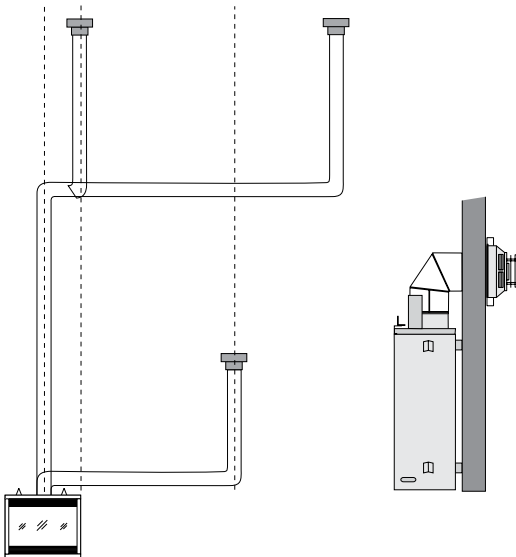


No chimney? No problem! The Regency Zero Clearance range enables you to have a gas log fire installed into a timber or steel framed/plasterboard "mock" chimney breast without the expense and effort of a purpose built brick chimney.



Direct Vent Technology

Direct Vent Technology is a fantastic innovation that maintains the total air quality of the home. It draws air from outside the home for combustion rather than warm room air. This means greater heating efficiency because all the warm air stays in your room. Direct Vent fireplaces can be flued vertically or out through an external wall, making them ideal for multi-storey homes where conventional vertical flues are not practical.



Enjoy your Regency - for life

You'll be happy with your Regency for years to come - our Limited Lifetime Warranty guarantees it. Not only have we invested in quality workmanship, the finest materials and durable heavy-duty construction but we have carefully selected a dealer network that is committed to your satisfaction. All Regency gas fires pass stringent Australian testing standards. We know that you will be as proud of your Regency as we are.

Limited Lifetime Warranty covers the following components: Combustion chamber, heat exchanger, burner tubes, logs, and glass (thermal breakage). Refer to owner's manual for details.

Note: All product specifications are subject to change without notice. Before installing refer to the relevant product manual for full and up to date information. Stainless steel inner panels will naturally change tone over time.

Heating capabilities of units are affected by: drafts under doorways or through flooring, large glass areas not covered by heavy drapes, ceiling heights greater than 2.4m or cathedral type ceilings, poor or no insulation and geographical locations.

Note: All products are available at all outlets.

for your nearest dealer:

www.regency-fire.com.au

or call 1 800 081978

your regency dealer

Fireplace Products Australia Pty Ltd.
21-23 South Link
Dandenong South Vic 3175
Australia
Phone 1 800 081 978
Fax 03 9799 7822
Email: salesau@regency-fire.com

Air Group Australia
28 Division St.
Welshpool WA 6106
Australia
Phone 08 9350 2200

Regent Distributors Limited
PO Box 32 432,
Devonport, North Shore City
New Zealand
Phone: Sales +64 21 934 955
Fax: + 64 9 4457 285
Email: sales@regentdist.co.nz

© 2010 FPI Fireplace Products International Ltd. Regency, Panorama, Hampton, Gemfire, Sunrise, AstroCap and FireGenie are registered or proprietary trademarks of FPI Fireplace Products International Ltd. All rights reserved. (03/10)
Part no. 944-282

